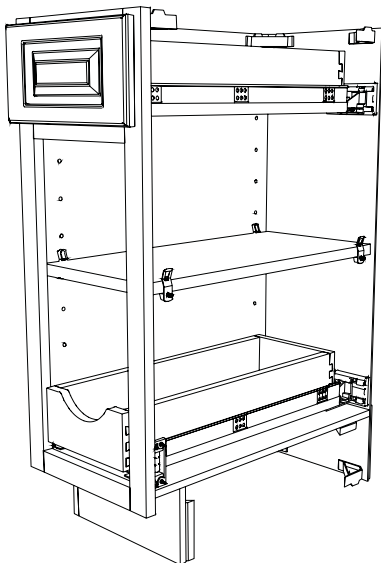
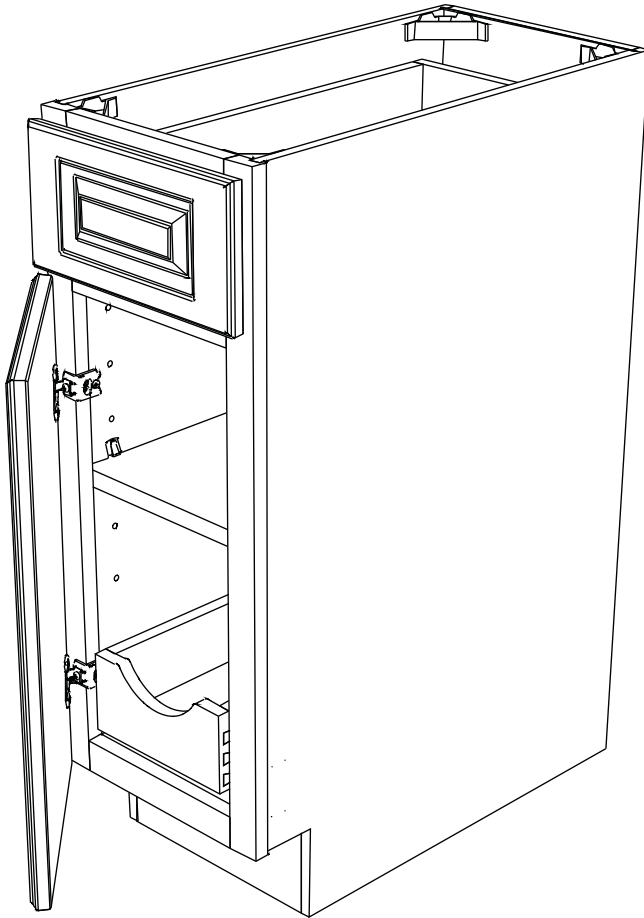
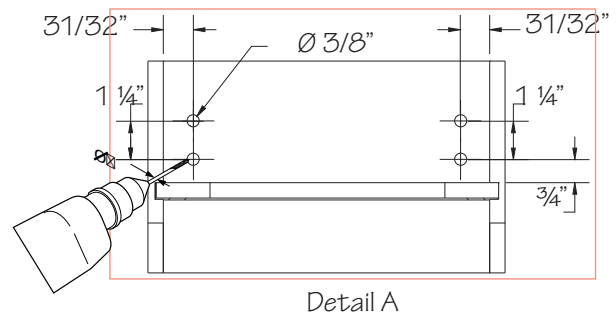
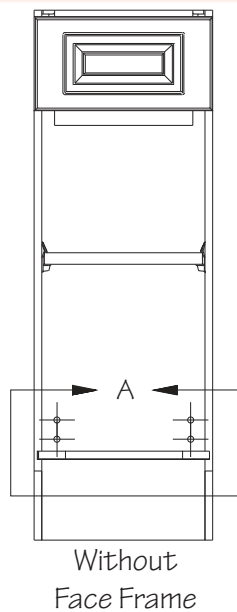
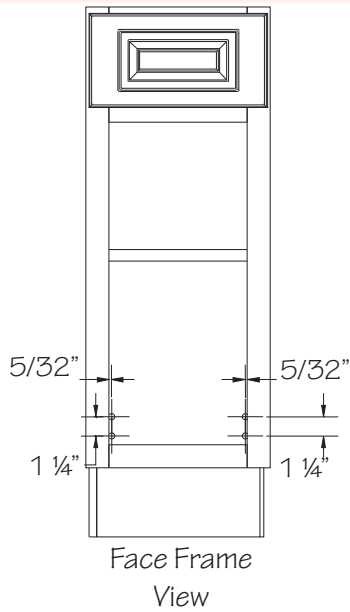


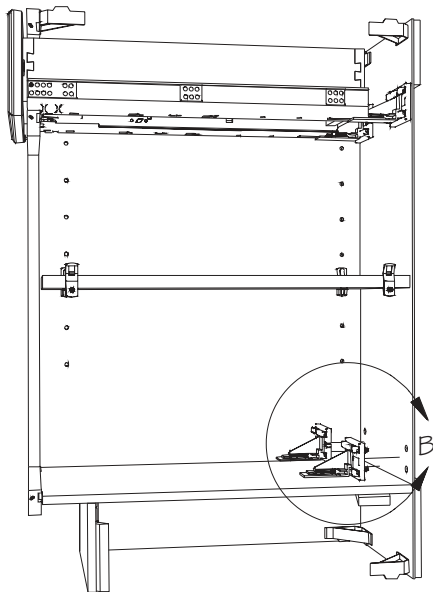
Dovetail STK Installation Instructions



Note: The right end panel and door have been removed to show details for installation instructions. During the course of these instructions, other components will be removed as well for better comprehension and viewing of installation procedures

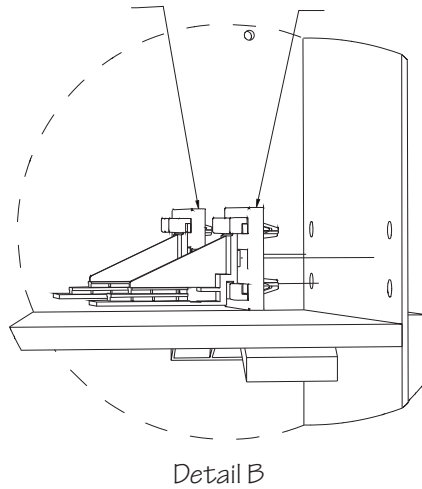


Step 1:
Use a 3/8" drill bit to drill the 4 holes as shown in detail A. Use the dimensions for correct position Specifications

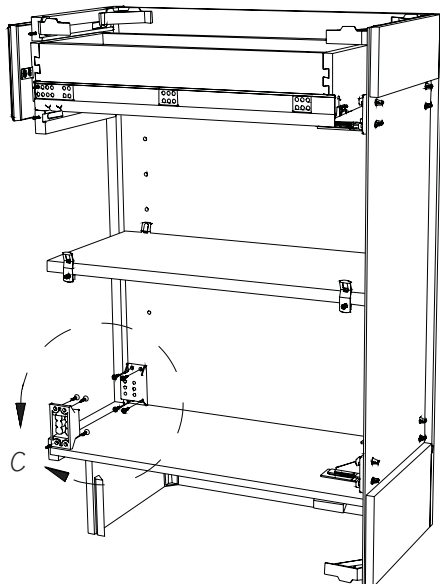


Dove Tail Drawer Socket (Left)

Dove Tail Drawer Socket (Right)

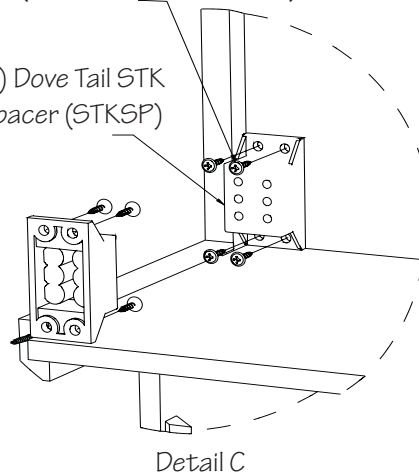


Step 2:
Insert the Dove Tail drawer Socket (TGSKT) in Drilled holes (as shown in detail B). Repeat step 1 and 2 for other side.

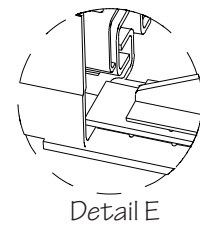
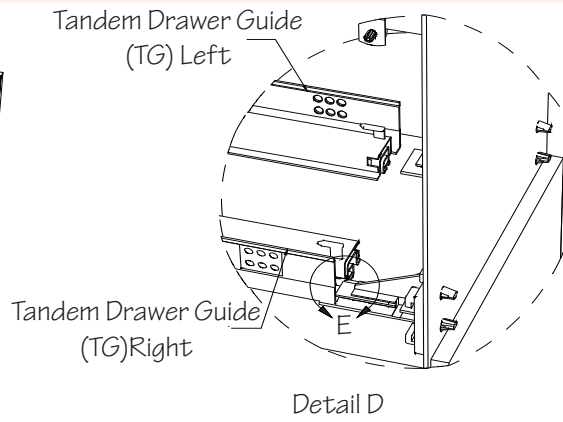
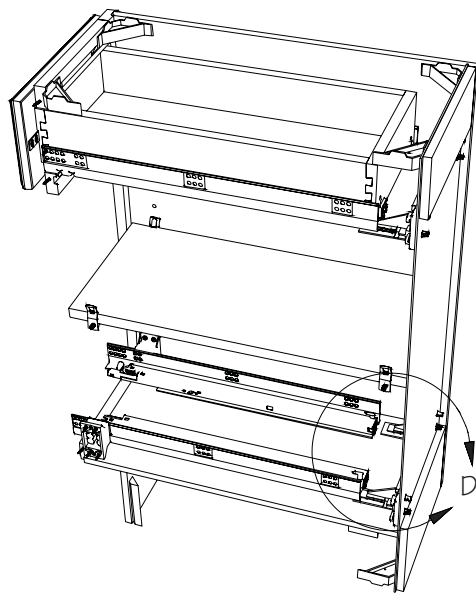


(8) HFS screws, #7 x 3/4", #2 POZI
(Pilot bore 9/64" Ø hole)

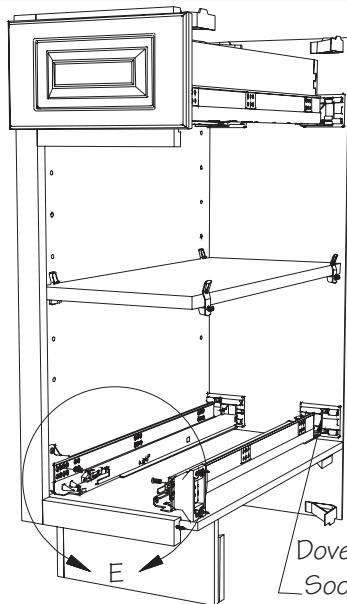
(2) Dove Tail STK Spacer (STKSP)



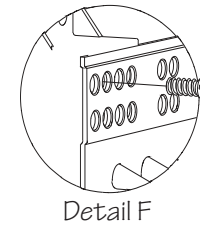
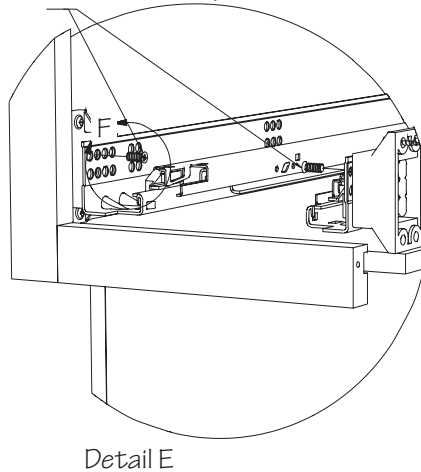
Step 3:
As shown, Place the STK Spacer (STKSP), one side flush with the inside of the face frame stile and the bottom edge flush with the cabinet bottom; the back of the Spacer (STKSP) is flush with the inside face of the end panel. Repeat for other side.



Step 4:
Apply the tandem drawer guide (TG)
by sliding in to the Socket (TGSKT) as
Shown

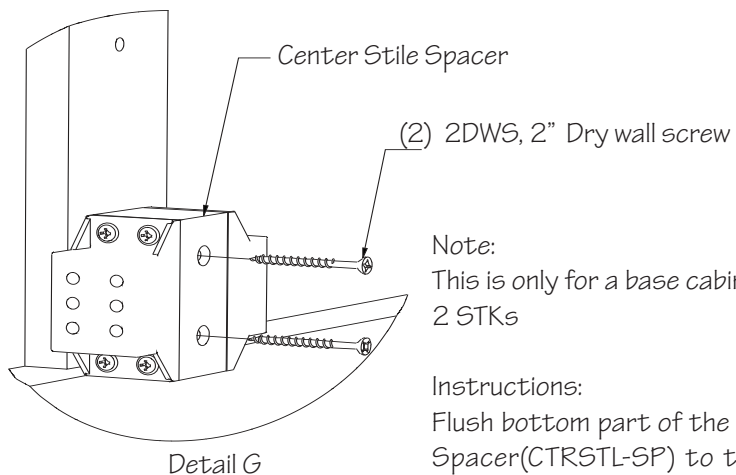
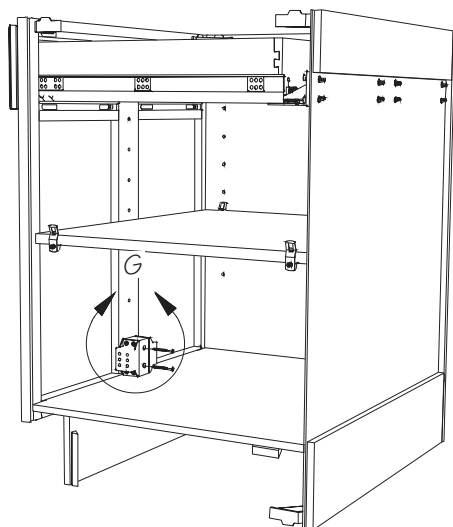


(2) TGSPS screws, 1/2", #2 POZI
(Pilot bore 3/16" Ø hole)



Step 5:
Adjust each tandem drawer guides
(TG), to its appropriate Dove tail
drawer sockets (STKSP). If needed,
adjust the Dove tail Sockets (TGSKT)
to line up as shown and insert one
TGSPS screw to each side.

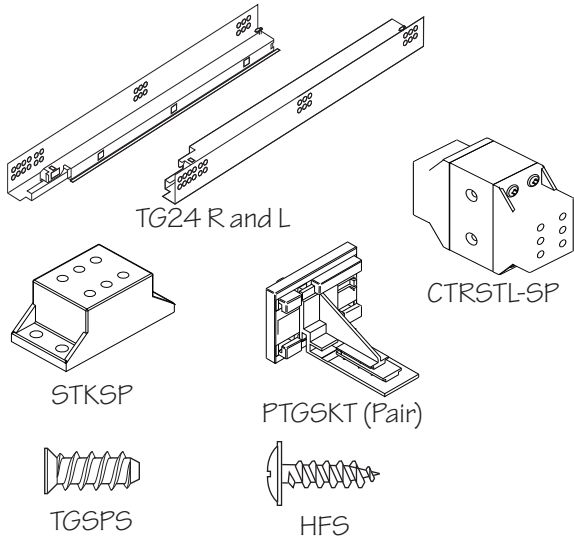
2 STK INSTALLATIONS



Note:
This is only for a base cabinet requiring
2 STKs

Instructions:
Flush bottom part of the Center Stile
Spacer(CTRSTL-SP) to the top face
of the bottom as shown , and insert 2
2DWS screws

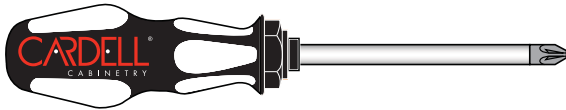
MATERIALS REQUIRED



Quantity	SKU	Description
8	HFS	#7 x 3/4", #2 POZI head
2	TGSPS	1/2", #2 POZI head
1	TG24L	Tandem Drawer Guide
1	TG24R	Tandem Drawer Guide
2	STKSP	Dove Tail STK Spacer
1	PTGSKT	Dove Tail Drawer Socket (Pair)
For 2 STK Installations		
1	CTRSTL-SP	Center Stile Double Spacer

TOOLS REQUIRED

2 Pozi Drive Screw Driver



Drill bits



9/64"

3/16"

3/8"

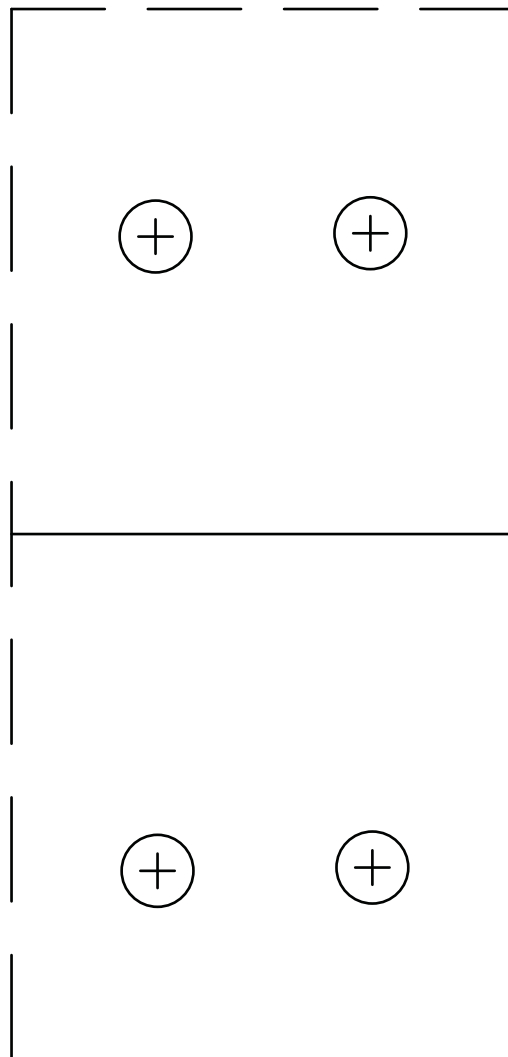
CARDELL[®]
C A B I N E T R Y

3215 N. Pan Am Expressway
San Antonio, Tx. 78219-2311
Phone 210.225.0290
Fax 210.212.5823
P.O. Box 200850
San Antonio, Tx. 78220-0850
www.cardell.com

Dovetail STK Hole Location Template

Single door and -BPD Cabinets

1. Cut out template along the dotted line
2. Place template on the cabinet Bottom as indicated and against the desired end panel (left or right)
3. Using a 3/8" or 10mm drill bit, drill the holes as indicated on the template
4. Repeat steps 2 and 3 on both sides of the cabinet



Double Door Cabinet (with Center Stile)

5. Complete steps 1-4
6. Using a pencil mark center line on the cabinet back. Measure from each end panel and ensure the measurements are the same to ensure the center.
7. Align the center on the template with the center line on the cabinet back
8. Using a 3/8" drill bit, drill the holes as indicated on the template